

Installation Update

This bulletin clarifies the installation protocol recommended by DiversiTech for condensate safety overflow switch CS1200.

Description

Some **Communicating HVAC Systems** using a dedicated condensate overflow safety switch shutdown input will require the use of an additional (optional) relay. The additional relay is only required if, after the installation of the above products, the HVAC system does not properly shutdown during verification testing.

Testing

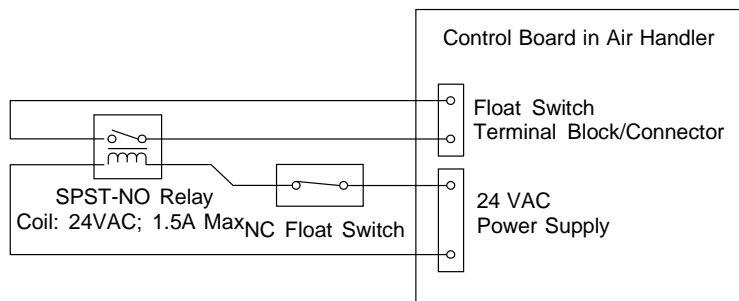
First, proper system shutdown verification testing is performed, ensuring that the system is running normally. Then, push the test button on the CS1200.

Finally, check that the system shuts down as expected. If the unit does not shutdown, it is sensitive to switch characteristics when compared to traditional systems and requires a relay. Please implement the relay solution outlined below.

Action

Use a normally open SPST relay with a 24VAC coil (DiversiTech part # D90-290Q or equivalent) to break the condensate overflow safety shutdown input circuit. DiversiTech condensate switch CS1200 should be used to make or break control power to the relay coil.

CHECK BACK FOR ADDITIONAL INFORMATION



Please contact DiversiTech Customer Service at (800) 995-2222 with any questions.