

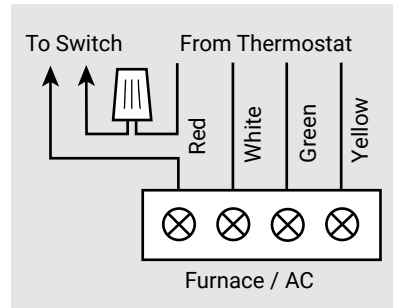
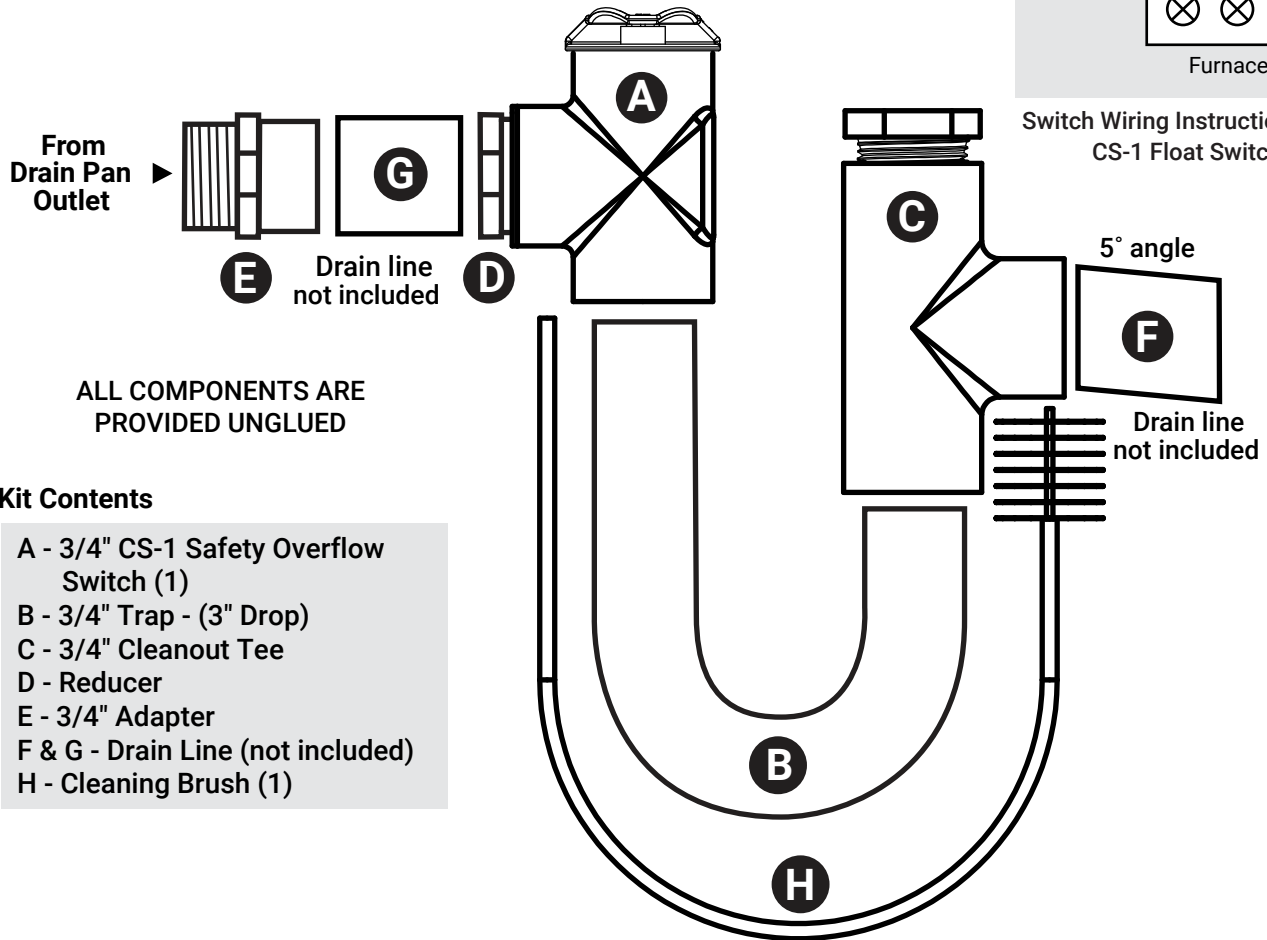
Clear PVC with Durable Schedule 40 PVC Fittings
Simple and Quick to Install
Variety of Models to Fit Many Different Applications

Trap Assembly Instruction

1. Screw Adapter (E) into 3/4" primary drain outlet.
2. Assemble components without glue to ensure fit. Mark as needed. Rotate clear U trap (B) and Cleanout Tee (C) to correct angle for installation.
3. Glue components (A through D and G) into place. Glue Assembly into Adapter (E).
4. Glue drain line (F) into center portion of Cleanout Tee. The drain line must exit with at least a 5 degree downward angle.
5. Attach label to unit.
6. Wire the CS-1 Condensate Safety Overflow Switch per separate instructions and diagram. Can be connected with either Red or Yellow wires.

Drain Trap Kit Product Guide

Catalog No.	Trap Type	Cleaning Brush	Float Switch
DTK113	1" DROP	NO	NO
DTK113B	1" DROP	YES	NO
DTK205	3" DROP	YES	YES
DTK207 with Cross	1" DROP	YES	YES
DTK210	1" DROP	YES </td <td>YES</td>	YES
DTK626	1" DROP	YES	YES



From Drain Pan Outlet

Drain line not included

ALL COMPONENTS ARE PROVIDED UNGLUED

Kit Contents

- A - 3/4" CS-1 Safety Overflow Switch (1)
- B - 3/4" Trap - (3" Drop)
- C - 3/4" Cleanout Tee
- D - Reducer
- E - 3/4" Adapter
- F & G - Drain Line (not included)
- H - Cleaning Brush (1)

Switch Wiring Instructions for 3/4" CS-1 Float Switch (A)