

Waterless Trap - Negative Pressure Guidelines for Use

Benefits of Waterless Trap

- Eliminates the geyser effect that is caused when the standard P-trap dries out and condensate begins to form
- Requires less than half the height of a standard P-trap
- Operates dry except when condensate is being produced
- Will not freeze
- No sludge buildup in bottom of trap
- Easily comes apart for cleaning

NOTE: DO NOT USE EXCESS CEMENT – Could interfere with ball movement and cause trap failure.

Negative Pressure Application

When operating with a negative pressure plenum, install Asurity® Waterless Trap in a horizontal position with the “FLOW” arrowhead pointing in the direction of water flow as shown in Figure 1. The direction of condensate flow is indicated on the larger of the two tabs that clamp the two parts of the trap together. Condensate enters the end of the trap with the 3/8" diameter hole and where “TOP” is shown, see Figure 2.

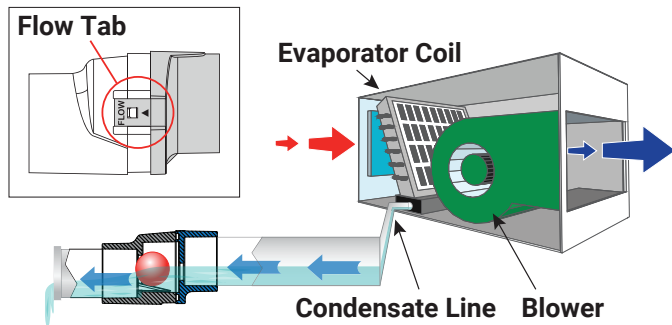


Figure 1

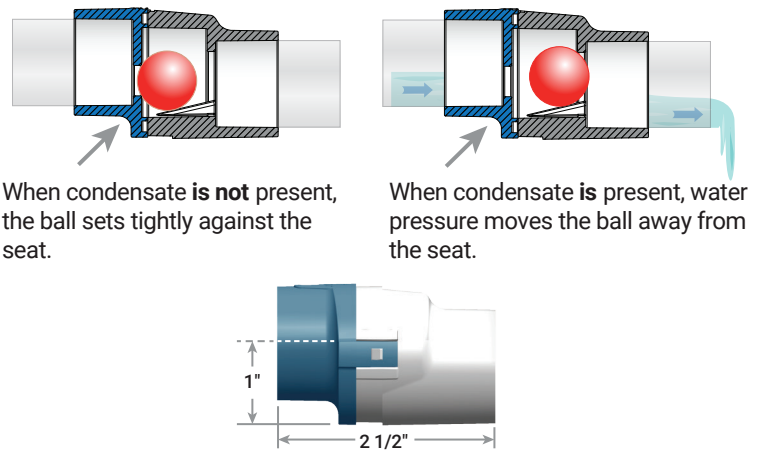


Figure 2

When disassembling for maintenance, use a small flat head screwdriver and lightly and slowly pry the wider tab outward a few thousandth of an inch until the two parts separate. There should be no maintenance required other than cleaning. Reassembling requires that the O-ring be properly placed in the groove and the ball-valve be properly positioned, see Figure 3.

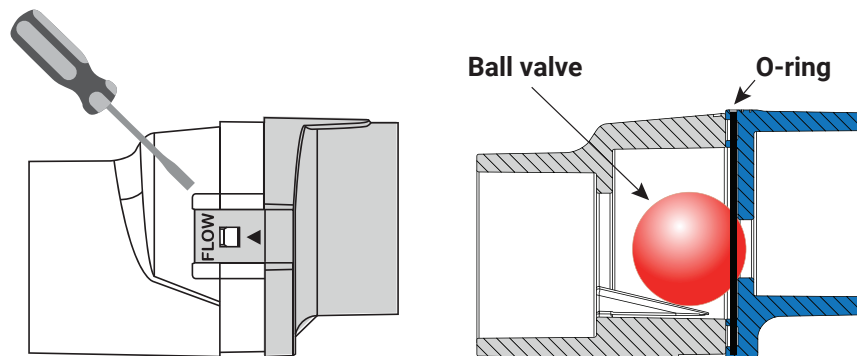


Figure 3

Negative Pressure Application (cont.)

Figure 4. Installation of the Waterless Trap for negative pressure showing arrowhead pointing in direction of water flow

Asurity® Waterless Traps are rated at up to 1 GPM of condensate flow at essentially any negative pressure, but H (refer to Fig. 4) increases linearly with pressure.

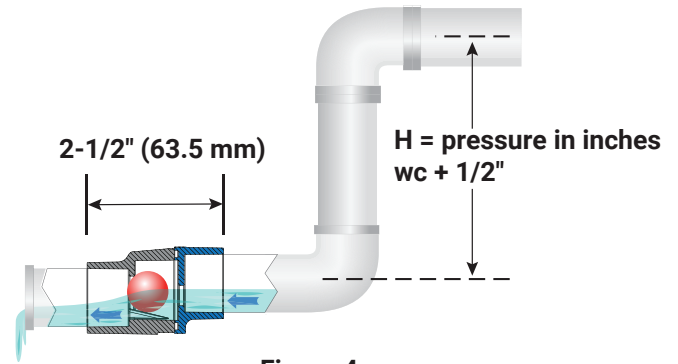


Figure 4

Figure 5. Waterless Trap with integral 3/4" slip connections

There are two clips that connect the two parts of the trap, one clip is wider than the other, so make sure to match wide to wide, narrow to narrow.

Standard connection is 3/4" slip. A 3/4" to 1/2" bushing can be used to accommodate a 1/2" size PVC SCH 40 pipe.

NEVER CONNECT CONDENSATE DRAIN DIRECTLY TO A SANITARY DRAIN LINE.

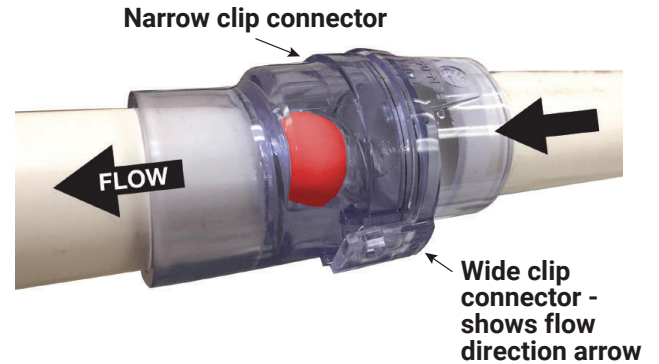


Figure 5